

MP-2325TX / MP-2325RX IRIG

IRIG Fiber Optic Transmitter and Receiver Module



Precision IRIG Timing Reference Signal Transmission over Single Mode Optical Fiber

The MP-2325 IRIG modules are part of MPS's comprehensive family of Analog Photonic Transmitters and Receivers that are designed to transport critical network timing pulses and carrier sine wave reference frequencies over single mode fiber. The Plug-In module is Form, Fit, and Function compatible with both the MPS 1911, 1914 and 1915 style chassis, and as such, can be immediately integrated into any operational system.

The MP-2325 Transmitter (TX) and Receiver (RX), when used as a pair, provide point to point transmission of high quality IRIG time reference signals. Carrier sine wave reference frequencies (100 Hz up to 100 MHz) are also supported. See the MPS catalog for details on Unmodulated and Modulated IRIG modules.

The MP-2325 is available as either a Plug-In or a stand alone Flange Mount module and is capable of transmission distances in excess of 25 km. The Plug-In module provides front panel LEDs which provide indication of power and optical connectivity. The TX and RX both provide the user with status monitoring through an internal communications interface.

Information: Call us toll-free at 888-868-8967 or email info@b2bphotonics.com

Applications

- GPS Clock Distribution
- Frequency Standard Transport
- NTP Synchronization for Computer Networks
- Distributing Timing References for Radar Systems, Satellite Networks, and Telecom Infrastructure

Features

- Front Panel LEDs
- >25 km Transmission Distance
- 12 dB Optical Loss Budget
- RS-232 Status Monitoring
- Flange Mount or Plug-In



Flange Mount Configuration Option
IRIG Timing Reference FO Converter

MP-2325TX / MP-2325RX IRIG

IRIG Fiber Optic Transmitter and Receiver Module

Specifications

IRIG Format	Carrier Sine Wave "Modulated" A, B, D, E, G, H 100 Hz, 1kHz, 10 kHz, 100 kHz & 1 MHz Carrier Frequencies
Input Amplitude	+5 V (TTL Logic Compatible)
Output Amplitude	> 2.4 V (TTL Compatible)
Pulse Response	3 ns (typ.) < 5 ns (max)
Module Impedance	50 Ω (In/Out)
RF Connector	SMA (f) (In/Out)

Optical Wavelength	1310nm, 1550nm, or CWDM
Optical Output Power	3 mW (min)
Optical Loss Budget	10 dBo for 2.0 Vpp Output
Optical Connectors	FC/APC, SC/APC, or as specified

Power Supply	+8 to +24 VDC (350 mA typ @ +15 VDC)
Size (Flange Mount)	3" x 3.7" x 1.25" 76.2 x 93.98 x 32.05 (mm)
Weight	8.0 oz / 0.23 kg
Operational Temperature	-40°C to +70°C
Storage Temperature	-55°C to +85°C
Status Monitoring	Front Panel LEDs or Serial Interface
Serial Protocol	RS-232 or RS-485

Part Number Generator

2325	M	F	W	A	C	CT
------	---	---	---	---	---	----

Example PN: **2325-TX-I-3-2-2-3-5**

Transmitter
IRIG
1310 nm
RS-232
FC/APC
Flange Mount

M Module Type

TX = Transmitter
RX = Receiver

F Frequency

I = IRIG
S = Special

W Wavelength

1 = RX
3 = 1310 TX
5 = 1550 TX
6x = CWDM TX
*x denotes channel number

A Comms Interface

2 = RS-232
4 = RS-485

C Connector

0 = Pig Tail
2 = FC/APC
4 = SC/APC
6 = Special

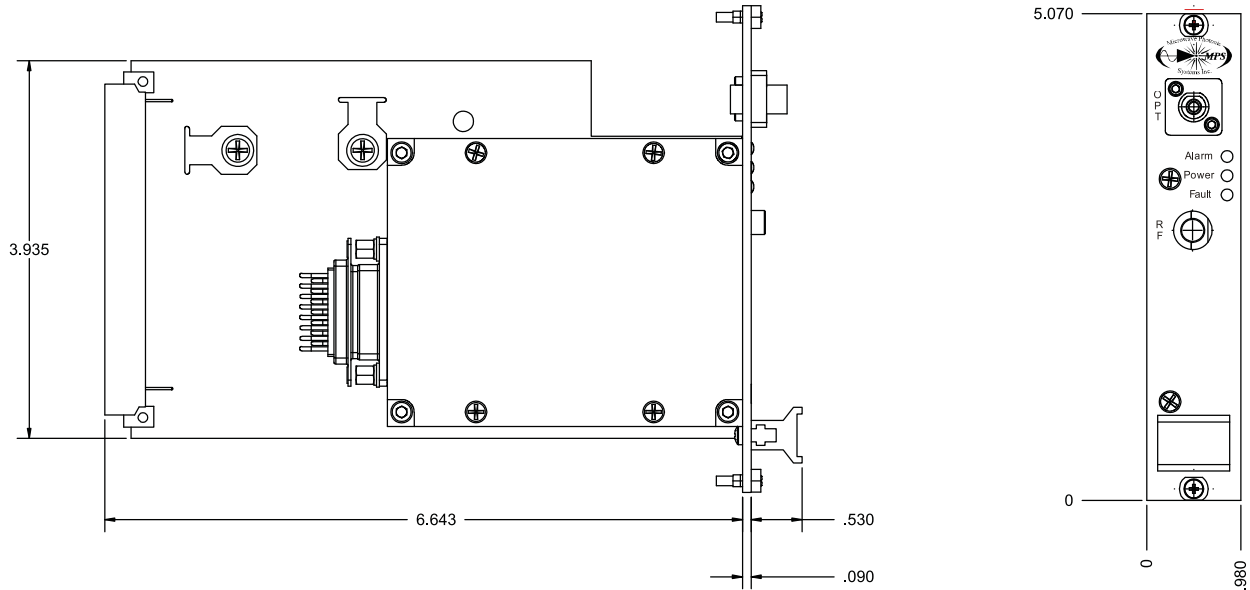
CT Case Type

1 = 1914 Plug-In
3 = 3" x 3.7" x 1.26"
5 = 1911 Plug-In
7 = 1915 Plug-In

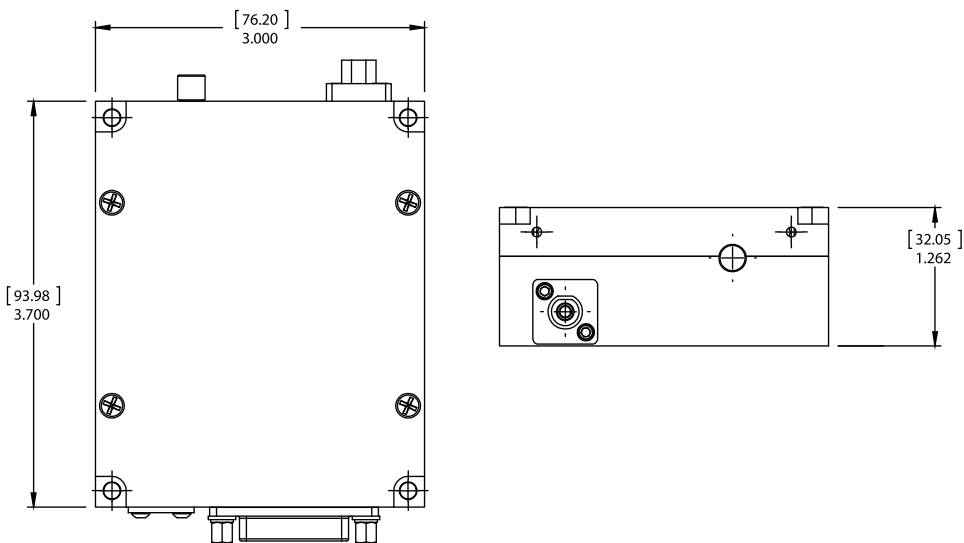
MP-2325TX / MP-2325RX IRIG

Mechanical Dimensions

Case Type 1, 1914 Plug-In Module



Case Type 3, Flange Mount Module

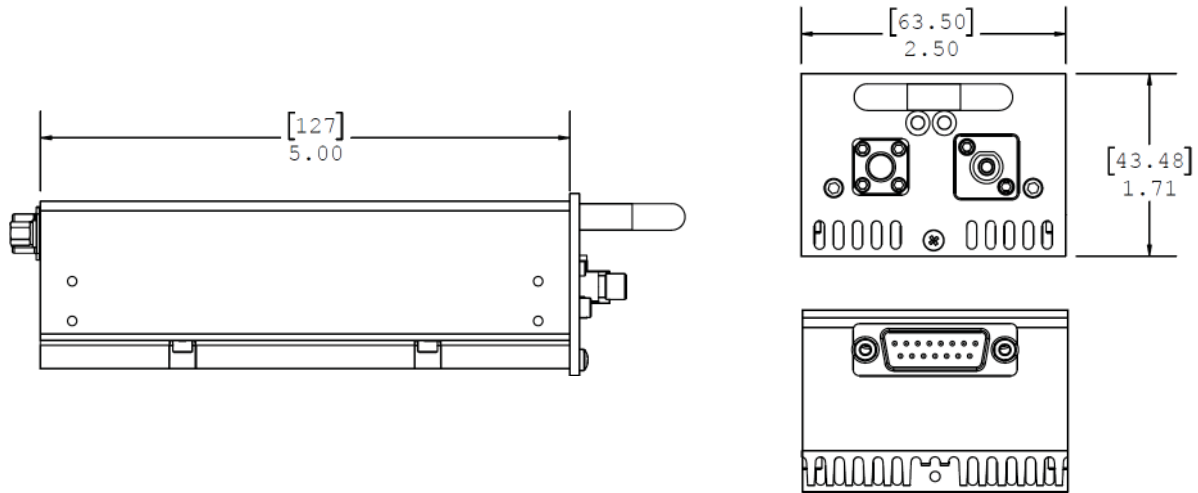


I/O CONNECTOR PINOUT	
PIN	FUNCTION
1	PWR GROUND
2	OPEN COLLECTOR ALARM Low = NO ALARM, 1A Max, Clamped at +20V
3	RS-232 RX DATA (IN)
4	RS-232 TX DATA (OUT)
5	NO CONNECTION
6	NO CONNECTION
7	NO CONNECTION
8	+15 VDC
9	ANALOG MONITOR RTN
10	ANALOG OPTICAL MON
11	RS-232 SIGNAL GROUND
12	NO CONNECTION
13	NO CONNECTION
14	NO CONNECTION
15	NO CONNECTION

MP-2325TX / MP-2325RX IRIG

Mechanical Dimensions

Case Type 5, 1911 Plug-In Module



Case Type 7, 1915 Plug-In Module

