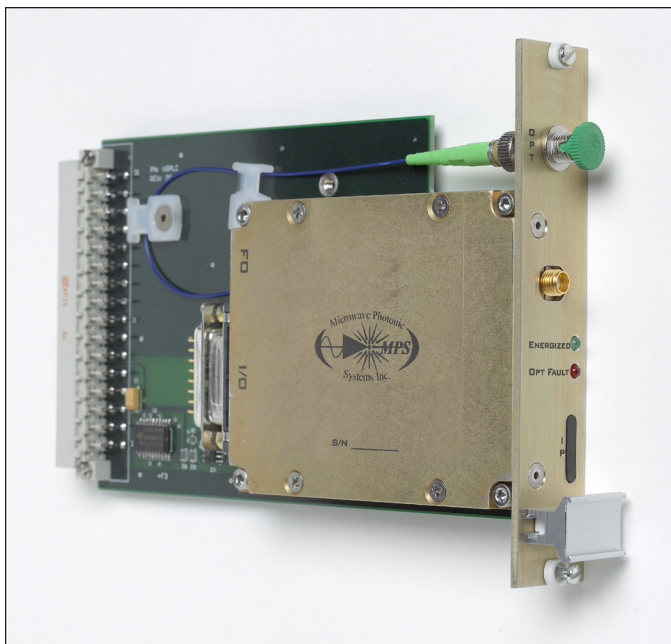


# microwave photonic systems

MP-2325TX / MP-2325RX

## 1 PPS Fiber Optic Transmitter and Receiver Module



### Applications

- Antenna Remoting
- SATCOM Terminals
- Telemetry Systems
- Frequency Reference Distribution

### Features

- Front Panel LEDs
- >15km Transmission Distance
- 15 dB Loss Budget
- RS-232 Status Monitoring
- Flange Mount or Plug-In

## Provides Precision DC Time Code Transmission over Single Mode Optical Fiber

The MP-2325 1PPS module is part of MPS's comprehensive family of RF Photonic Transmitters and Receivers that are designed to transport critical network timing and broadband RF signals over single mode fiber. The Plug-In module is Form Fit and Function compatible with both the MPS 1910 and 1914 style chassis, and as such, can be immediately integrated into any operational system.

The MP-2325 Transmitter (TX) and Receiver (RX), when used as a pair, provide point to point transmission of high quality TTL encoded DC time codes from 1 pulse per second through 10,000 pulses per second, in accordance with the conventional IRIG derived time codes (IRIG A through H).

The MP-2325 is available as either a Plug-In or as a stand alone Flange Mount module and is capable of transmission distances in excess of 15 km. The Plug-In module provides front panel LEDs which provide indication of power and optical connectivity. The TX and RX both provide the user with status monitoring through an internal communications interface.



Flange Mount Configuration Option  
1PPS FO Converter

Information: Call us toll-free at 888-868-8967 or email [info@b2bphotonics.com](mailto:info@b2bphotonics.com)

Microwave Photonic Systems, Inc.

1155 Phoenixville Pike, Unit 106, West Chester, PA 19380, Toll-Free: 888-868-8967

Phone: 610-344-7676, Fax: 610-344-7110, E-mail: [info@b2bphotonics.com](mailto:info@b2bphotonics.com), Internet: [b2bphotonics.com](http://b2bphotonics.com)

100204 CAGE 1A9M1

# microwave photonic systems

MP-2325TX / MP-2325RX

## 1 PPS Fiber Optic Transmitter and Receiver Module

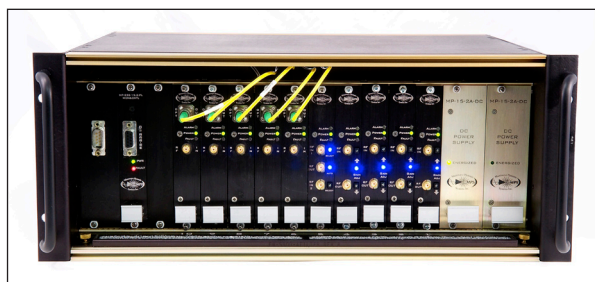
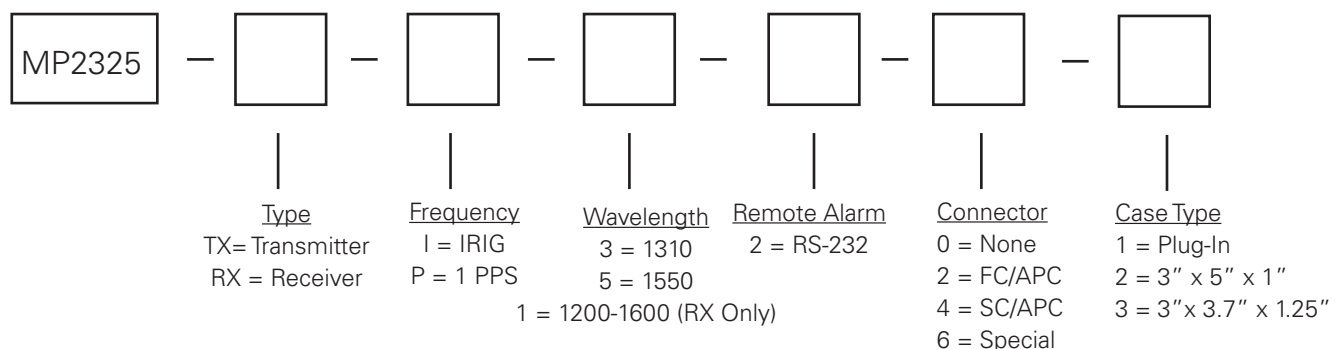
### Specifications

Data Rate	1 Pulse/Sec to 10K Pulse/Sec
Rise / Fall Time	20 nsec
Impedance	50 Ohm
RF Connector	SMA(f) , (BNC optional)
Input / Output Level	4 Volts (TTL)
Output Drive Current	40 mA (maximum)
Bit Error Rate (BER)	1 x 10 <sup>9</sup> (minimum)

Optical Wavelength	1310nm , (1550 optional)
Optical Output Power	1 mW
Optical Loss Budget	0 to 15 dB
Optical Connectors	FC/APC , ( SC, ST, LC optional)
Operational Temperature	-40°C to +85°C

Power Supply	8 - 24 VDC (Flange Mount), Back Plane (Plug-In)
Size	3U Plug-In , 3"x3.7"x1.25" Flange Mount
Status Monitoring (Local)	Front Panel LEDs (Plug-In)
Serial Interface (Remote)	RS-232

### Part Number Generator



Satellite Terminal RF, Frequency, and Timing Distribution Rack Chassis

Microwave Photonic Systems, Inc.

1155 Phoenixville Pike, Unit 106, West Chester, PA 19380, Toll-Free: 888-868-8967

Phone: 610-344-7676, Fax: 610-344-7110, E-mail: info@b2bphotonics.com, Internet: b2bphotonics.com

100204 CAGE 1A9M1

