

# Microwave Photonic Systems, Inc. 888-868-8967

## MPS-1200 Singlemode, Simplex Optical Reference Cable

- Insertion & Return Loss Tested
- Serialized & Individual Test Records
- Guaranteed Zero Defects
- Meets Telcordia Endface Geometry Requirements
- Custom Configurations Available at No Extra Charge
- One-year Warranty



### Description:

MPS-1200 Singlemode, Simplex Optical Jumper Cables and Pigtails utilize TLC's Gigabit Cable which is made with Corning InfiniCor high performance fiber. They are offered with two different brands of connectors; Our Corning line is built using Corning connectors and our Value line uses quality non-Corning connectors at a substantial discount.

Every assembly exceeds Telcordia standards and is individually tested for insertion and return loss. The assemblies are offered with a plenum or riser-rated 3mm, 2mm, 1.8mm or 1.6mm jacketed fiber or 900µm buffered fiber. They can be supplied at any length either as a complete jumper or as a pigtail. Please call us for immediate assistance. Each reference cable include a full Interferometer test report, factory acceptance testing report, test equipment calibration, test verification.

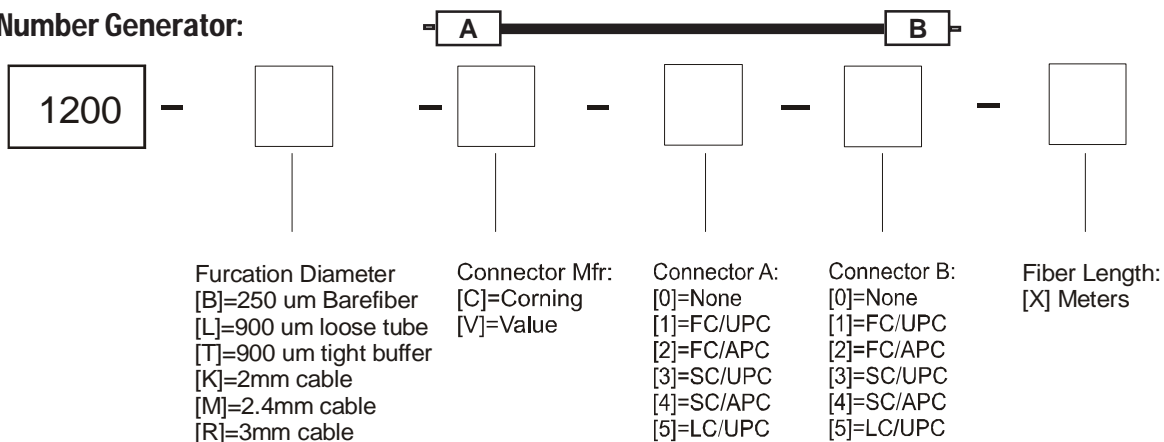
### Specifications:

<b>Insertion Loss</b>	<b>UPC or APC</b>	.15 dB typical, .25 dB max
-----------------------	-------------------	----------------------------

<b>Return Loss</b>	<b>UPC</b>	> 55 dB
	<b>APC</b>	> 65 dB

<b>Endface Geometry</b>	<b>Fiber Height</b>	$-50 \text{ nm} \leq x \leq 50 \text{ nm}$
	<b>Radius</b>	$7 \text{ mm} < R < 35 \text{ mm}$
	<b>Apex Offset</b>	$x < 50 \text{ }\mu\text{m}$

### Part Number Generator:


**SM, SIMPLEX REFERENCE CABLE**

www.b2bphotonics.com  
Microwave Photonic Systems, Inc.  
882 South Matlack St., Unit 104  
West Chester, PA 19382



Toll Free: 888-868-8967  
Phone: 610-344-7676  
Fax: 610-344-7110  
e-mail: info@b2bphotonics.com