

Microwave Photonic Systems, Inc. 888-868-8967

MPS-1000 Singlemode, Simplex Optical Jumper Cable

- Insertion & Return Loss Tested
- Serialized & Individual Test Records
- Guaranteed Zero Defects
- Meets Telcordia Endface Geometry Requirements
- Custom Configurations Available at No Extra Charge
- One-year Warranty



Description:

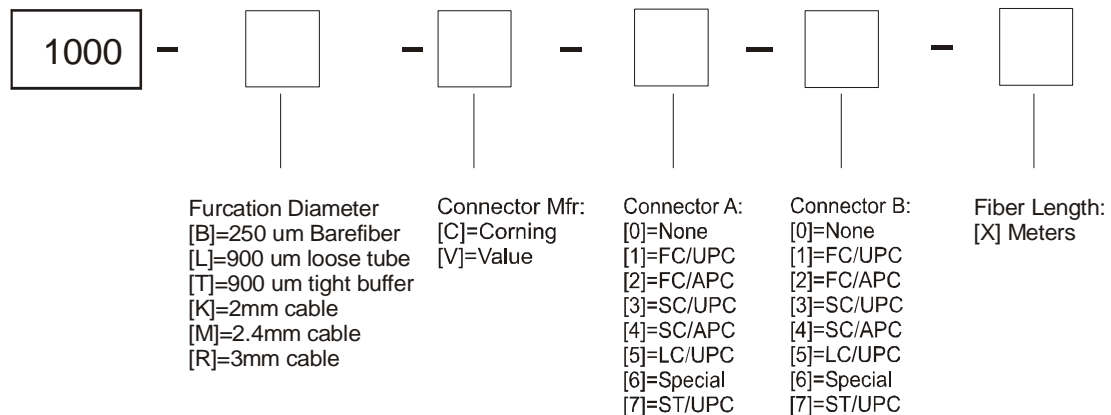
MPS-1000 Singlemode, Simplex Optical Jumper Cables and Pigtails utilize TLC's Gigabit Cable which is made with Corning InfiniCor high performance fiber. They are offered with two different brands of connectors; Our Corning line is built using Corning connectors and our Value line uses quality non-Corning connectors at a substantial discount.

Every assembly exceeds Telcordia standards and is individually tested for insertion and return loss. The assemblies are offered with a plenum or riser-rated 3mm, 2mm, 1.8mm or 1.6mm jacketed fiber or 900µm buffered fiber. They can be supplied at any length either as a complete jumper or as a pigtail. Please call us for immediate assistance.

Specifications:

Insertion Loss	UPC or APC	.15 dB typical, .25 dB max
Return Loss	UPC	> 55 dB
	APC	> 65 dB
Endface Geometry	Fiber Height	$-50 \text{ nm} \leq x \leq 50 \text{ nm}$
	Radius	$7 \text{ mm} < R < 35 \text{ mm}$
	Apex Offset	$x < 50 \text{ }\mu\text{m}$

Part Number Generator:



SM, SIMPLEX JUMPER

www.b2bphotonics.com
 Microwave Photonic Systems, Inc.
 882 South Matlack St., Unit 104
 West Chester, PA 19382

Toll Free: 888-868-8967
 Phone: 610-344-7676
 Fax: 610-344-7110
 e-mail: info@b2bphotonics.com